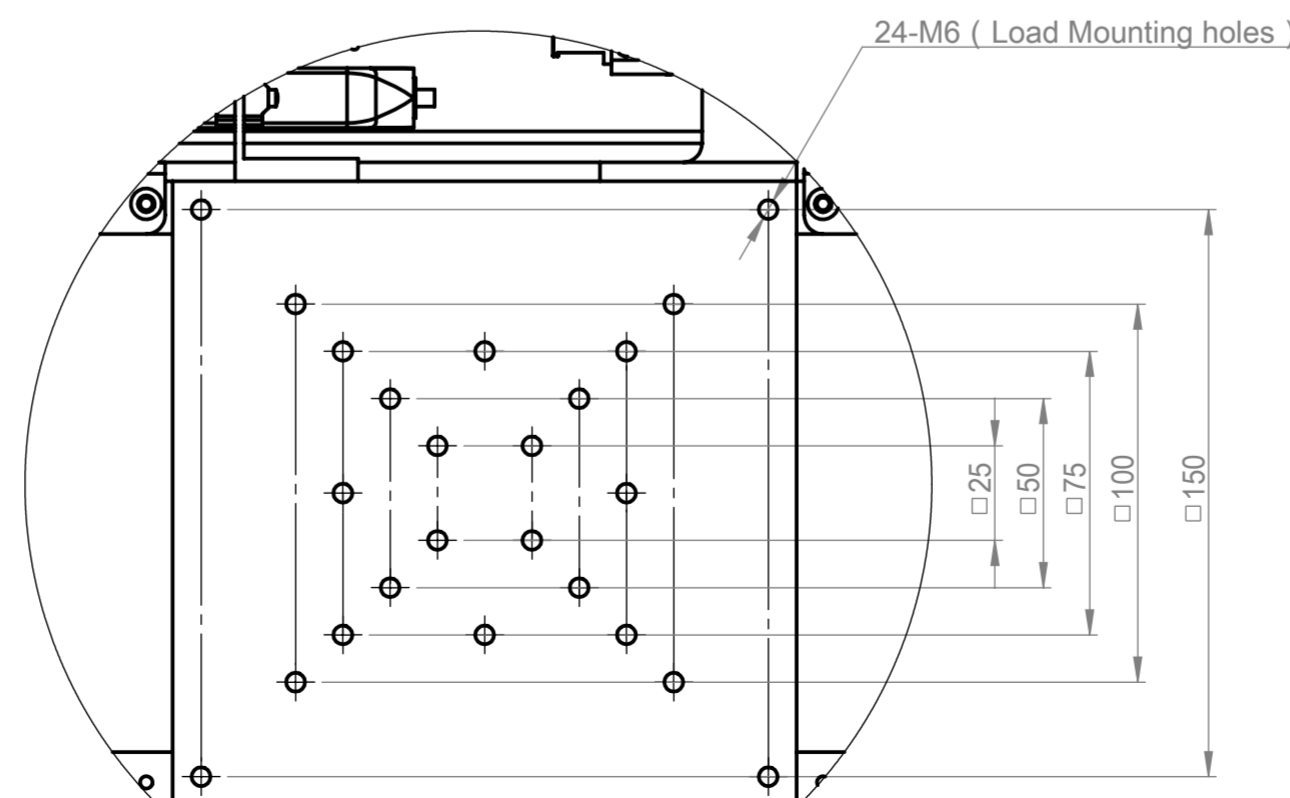
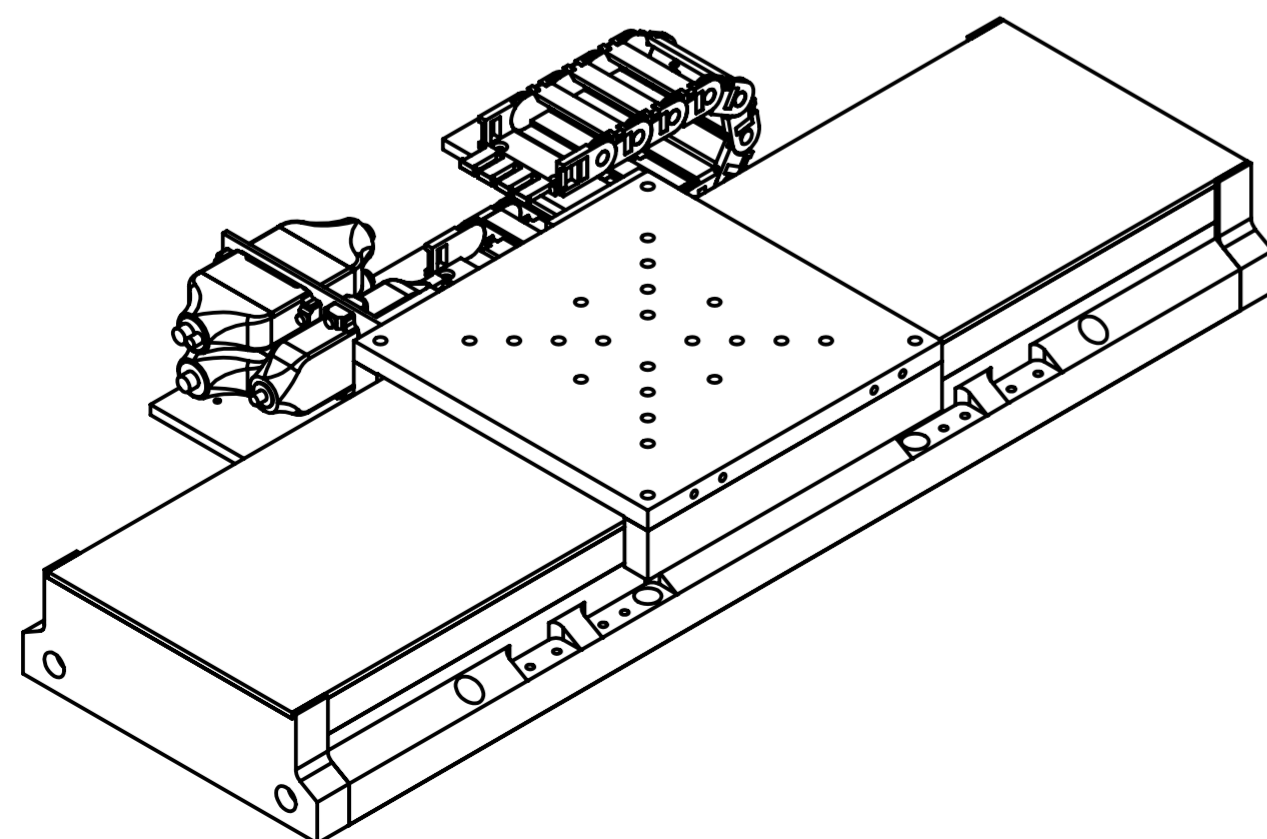


8- ϕ 6.6 Through hole
Sink hole ϕ 11 deep 17
Stage Mounting hole



Product specification	
Stage Type	High performance direct-drive stage
travel	300mm
Drive type	Ironless Direct-drive linear motor
Feedback	high accuracy linear encoder system
Resolution	0.1 μ m
Index and Limit	Index&Double_limits&Mechanical_limits
Guide Type	LM Rolling guide
Cable management	According to customer demand
Material	Aluminum 7075-T6
Temperature range	10°C to 35°C (Best to 20 \pm 0.5°C)

Model	FAO 165LM-0300	
Travel	300(mm)	
Accuracy	\pm 2 μ m	
Resolution	0.1 μ m	
Bi-Directional Repeatability	\pm 0.75 μ m	
Straightness	\pm 4 μ m	
Flatness	\pm 4 μ m	
Pitch	12.5 arc sec	
Roll	12.5 arc sec	
Yaw	12.5 arc sec	
Maximum Speed	2000mm/s	
Maximum Acceleration	3g	
Maximum Force	60N	
Load Capacity	Horizontal	45kg
	Side	45kg
Moving Mass	2.7kg	
Stage Mass	13.9kg	
Material	Aluminum , 7075	

更改记录						产品名称		产品代号	
处数	分区	文件号	签名	日期					
设计			Paul.Chen		图样名称		图样代号		
制图			June.Liu		FAO165-300LM		FAO165300-0.000		
检图1					材料	比例	所属装配图号		
检图2						1:5			
标准化					重量	数量	阶段标记		
设计审核									
工艺审核							TM motion		
批准					共	张	第	张	